

AXOR Urquiola
2-handle basin mixer 120 with pop-up waste set
 Surfaces: **Chrome** Article Number: **11024000**



Description

product features

- consists of: 2-handle basin mixer, waste set
- ComfortZone 120
- projection 139 mm
- normal spray
- flow rate at 3 bar: 5 l/min
- ceramic valves hot/ cold 90°
- suitable for continuous flow water heaters
- pop-up waste set G 1¼
- connection dimension: DN15

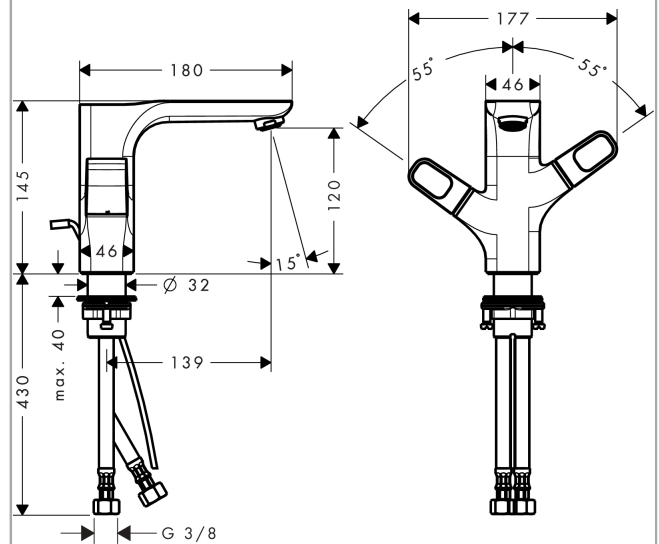
Technology



Product image



Scale drawing



Flowchart

